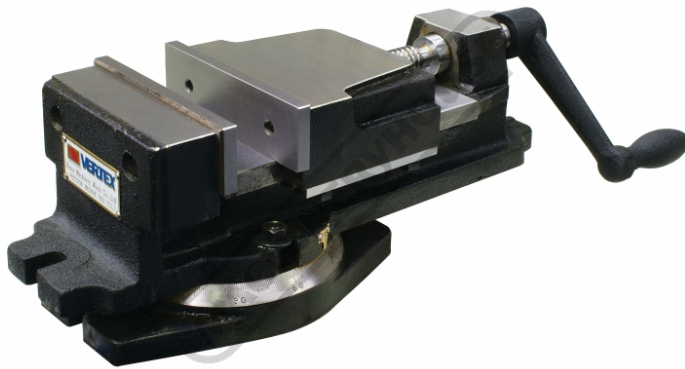


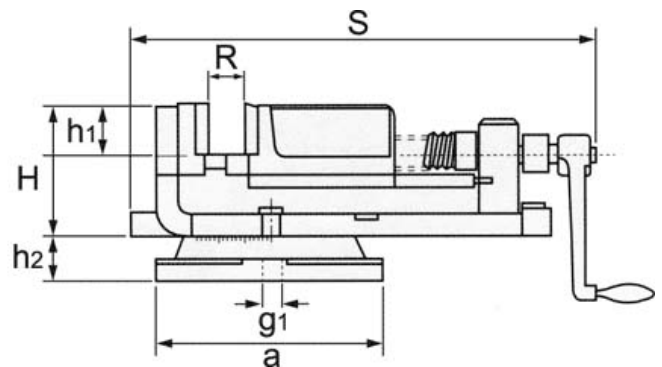
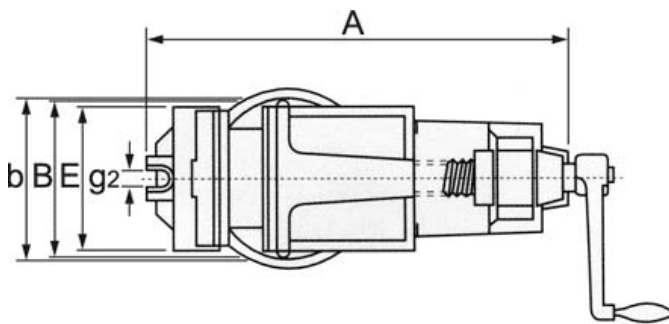
Order Code: V105
VK-5 - K-Type Milling Vice
127mm



On Special - Ends 30th June 2017	
ex GST	inc GST
\$190.00	\$209.00
\$170.00	\$187.00



ORDER CODE	V105
Model	VK-5
Size	127mm
A	345mm
B	128mm
E	125mm
H	98mm
R	80mm
S	370mm
a (lowercase)	208mm
b (lowercase)	150mm
h1 (lowercase)	37mm
h2 (lowercase)	30mm
g1 (lowercase)	12mm
g2 (lowercase)	12mm
Weight (nett)	18kg



Features

- Jaws hardened and ground alloy steel
- All working surfaces, such as top and bottom of bed, jaw plates and base, are precision ground square and parallel
- Bearing portion of the acme-threaded leadscrew is ground for accurate alignment
- Graduated swivel base with large, easy-to-read divisions

Specific Features








Rear View



Shown without Handle

Recommended Accessories

		Code	ex GST	inc GST
	Aluminium Magnetic Soft Jaws Aluminium Face	V0531	\$10.91	\$12.00
	Aluminium Magnetic Soft Jaws Aluminium Prism Face	V0538	\$10.91	\$12.00
	Aluminium Magnetic Soft Jaws Rubber Face	V0535	\$10.91	\$12.00
	Plastic Magnetic Soft Jaws Standard Serrated Face	V0542	\$12.73	\$14.00
	Plastic Soft Jaws Multigrip	V0546	\$12.73	\$14.00