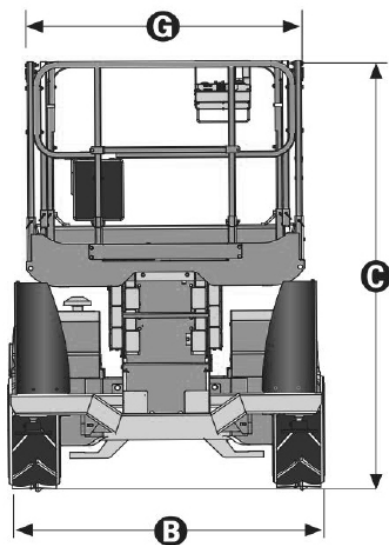
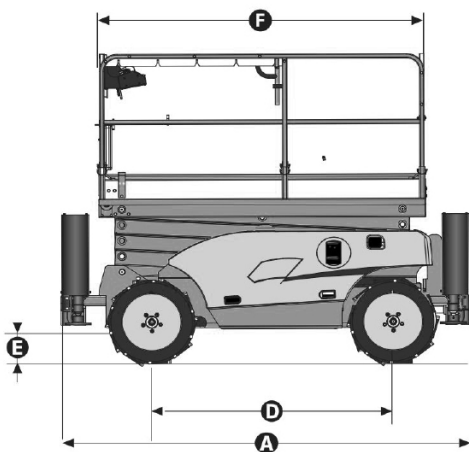


ELEVATED WORK PLATFORM HIRE

SPECIFICATION SHEET

SCISSOR LIFT

12m/32ft DIESEL



SPECIFICATIONS

MEASUREMENTS

Working height	12.06 m
Platform height	10.06 m
Platform capacity	450 kg
A Length	3.17 m
B Width	1.78 m
C Stowed height (guard rail)	2.56 m
Stowed height (platform)	1.70 m
F Platform length	2.45 m
G Platform width	1.45 m
Platform extension	1.20 m
D Wheelbase	1.84 m
E Ground clearance	.28 m

PRODUCTIVITY

Drive speed	0.8 / 5.5 km/h
Outside turning radius	3.50 m
Lift / lower speed (s)	35 / 51 sec.
Gradeability	40%
Tyres (foam filled)	26 x 12-16.5
Hydraulic system capacity	75 L

WEIGHT

Weight	4,110 kg
--------	----------