

Product Brochure For B8520

## TN-300 - Pipe & Tube Notcher

Ø12.7 - Ø76.2mm OD Tube Capacity & 1/2" - 2-1/2" NB Pipe Capacity

**Ex GST**                      **Inc GST**  
**\$4,350.00**                    **\$4,785.00**



ORDER CODE:	B8520
MODEL:	TN-300
Machine (Type):	Pipe & Tube Notcher & Bench Mount
Notching Cutter (Type):	Hole Saw (Optional)
Tube Capacity (OD) - Mild Steel (mm):	Ø12.7 - Ø76.2
Pipe Capacity (NB) - Mild Steel (inch / mm):	Ø1/2" - Ø2-1/2"
Angle Adjustment (Degree):	0 - 60°
End Mill Size (inch / mm):	~
Belt Size (mm):	~
Belt Speed:	~
Cutting Speed (rpm):	200
Motor Power (kW / hp):	0.375 / 0.5
Voltage (V):	240V
Dimensions ((mm)):	762 x 534 x 585
Nett Weight (kg):	87



### Description

What makes the TN-300 pipe notcher the best production hole saw notcher on the market today? Baileigh eliminated the need for a hand drill to create a more useful tool for fabricators.

### Features

- Proudly made in the USA
  - Requires 240-volt single-phase power
  - Notches Ø12.7 - 76.2mm OD tube and 1/2" - 2-1/2" NB schedule 40 pipe
  - You can adjust the notching angle up to 220°
  - High-quality 0.5hp 240V motor will last through years of profitable production
  - Runs at 200rpm to give an optimal combination of saw life and cutting speed
  - Quick-release cam-centric vice and solid taper lock enable you to set up different notch angles in seconds
  - Includes a large degree wheel for indexing the vice
  - Designed for easy operation: just turn it on, grab the hand wheel, and rotate it toward the material
  - Rigid steel plate base and industrial-grade components help to reduce vibrations made by the hole saw
  - Stable framework delivers more accurate cuts, increases the life of the saws, and saves you time and money
  - Carriage rides on a solid V-block roller assembly that pushes the hole saw into the material with minimal vibration
- Note: Hole saw cutters sold separately

**Specific Features**



Front View



Rear View



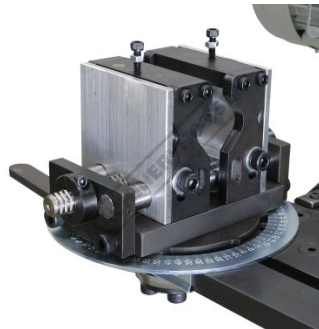
Large Degree Wheel



Shaft



Carriage Rides on a Solid V Block Roller



Quick Release Cam Centric Vice

**Recommended Accessories**

S077

Drilling, Tapping & Cutting Tool  
 Lubricant Spray - 400g



S075

Cutting Tool Lubricant Paste -  
 200g



D102

Metric HSS Hole Saw Set

