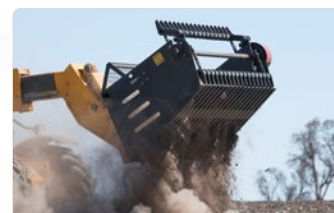
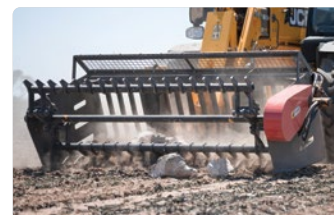


EXTREME DUTY Rock Picker



SUITABLE FOR TELEHANDLER
AND WHEEL LOADERS



FEATURES

- » Sieve bar back frame for high visibility
- » Double arm bidirectional rotation reel
- » High tensile tyres & Bissalloy fingers
- » High torque hydraulic motor & pressure relief valve
- » Includes mount, hoses and couplings

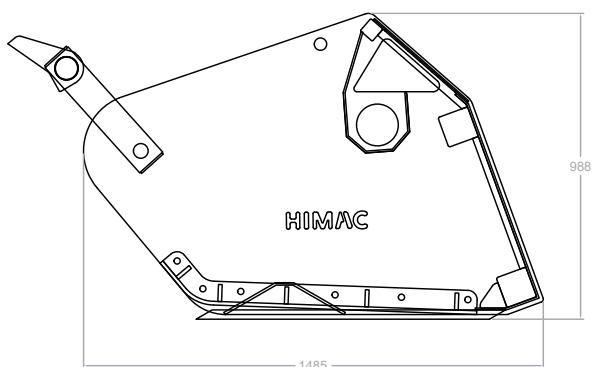
OPTIMAL ROCK SIZE

100 - 500 mm

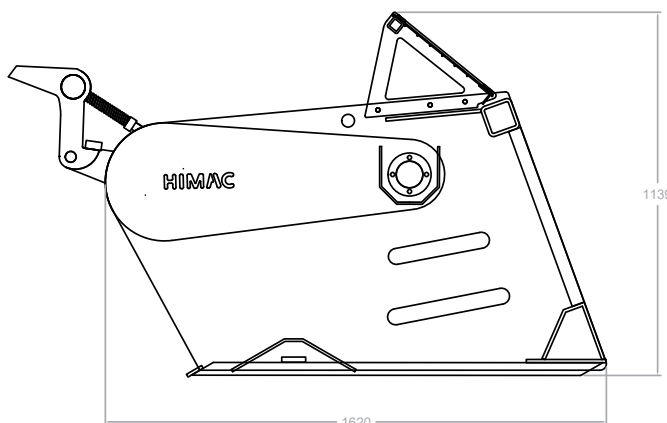
REQUIRED FLOW

40 - 80 LPM

CODE	DESCRIPTION	TYNE SPACING	WORK WIDTH	LOAD CAPACITY	VOLUME	WEIGHT	PRICE
RP24AG	2400 mm Rock Picker	75 mm	2350 mm	1500 kg	1.10 m ³	850 kg	GET QUOTE
RP24T	2400 mm Extreme Duty Rock Picker	90 mm	2380 mm	2350 kg	1.65 m ³	1280 kg	



RP24AG
HEAVY DUTY Euro / Telehandler Model
Suitability: 2-3 T Capacity



RP24T
EXTREME DUTY Telehandler / Wheel Loader Model
Suitability: 3-6 T Capacity