

Product Brochure For W1026

UM125PM-C3 - 4 In One Utility Clamping System

320mm Clamping Capacity
 1100kg Clamping Force

Ex GST
\$155.00

Inc GST
\$170.50



ORDER CODE:	W1026
MODEL:	UM125PM-C3
Type:	Utility Clamp
Table Height with Stand (mm):	~
Suits Table Size:	~
Material Finish:	~
Clamping Capacity:	320mm
Locking Handle - Pivot Movement:	~
Clamp Bar - Pivot Movement:	~
Plunger Travel (mm):	~
Throat Depth (mm):	140mm
Opening (mm):	~
Size:	~
Quantity Per Pack (No.):	~
Thread:	~
Number of Holes (No.):	~
Slot Length (mm):	~
Magnet Clamp Angle (deg):	~
Pull Force (kg):	~
Clamping Force (kg):	1100
Suits:	~
Over all Length:	~
Nett Weight (kg):	3.5



Description

ONE CLAMP FOUR FUNCTIONS:

The most versatile & economical sliding arm clamp available. Each clamp comes complete with a V-Pad and Extender Block. The threaded hole on the base simply allows the attachment to screw & lock into position.

Sliding Arm Clamps with the Removable / Reversible Clamp Arm and Unique Accessories

Professional Quality at an Affordable Price.

Features

- Made of heat treated alloy steel and nickel/chrome plated for strength and durability
- Sliding arm clamps are 10x faster than conventional C-clamps
- The exclusive V-Pad enable pipe clamping
- Reverse the clamp arm and attachment to create a spreader clamp
- The extender block allows step over clamping with ease

Includes

- The three piece 4-in-1 Clamp Kit includes:
- Sliding Arm Clamp
- Extended Block
- V-Pad

Product Brochure For W1026

Specific Features



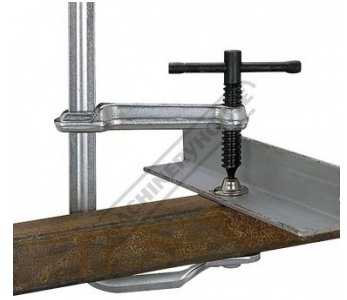
V Pad Jaw



With Extender Block Jaw



Clamping With Step Over



Clamping Steel



Clamping Steel Pipe



Shown As Spreader

Recommended Accessories

W1028
 4 In One Utility Clamping System

W1027
 4 In One Utility Clamping System

W1025
 4 In One Utility Clamping System

C0010
 Ratchet F Clamp



Product Brochure For W1026

C0012
Ratchet F Clamp



C0013
Ratchet F Clamp



C0015
Ratchet F Clamp



W1003
ROGUE™ PROBAN® Welding Jacket



W1005
Snake Magnet & Spring Clamp



W1006
Adjust-O Magnet Square - Heavy Duty



W1007
Adjust-O Magnet Square - Heavy Duty



W1008
Mini Magnet Squares - (6-Pack)



W1009
Mini Magnet Squares - (2-Pack)



W1010
Corner Magnets - (2-Pack)



W1011
XYZ Magnet Squares - Multi-Angle - (2-Pack)



W1012
Adjustable Corner Clamping Plier Set



Product Brochure For W1026

W1013
 Corner Clamping Plier



W1019
 Corner Clamp



W1014
 Pipe Plier - Large



W1015
 Pipe Plier



W1016
 Locking C-Clamp - Round Tip



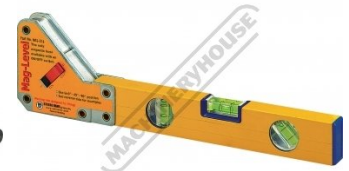
W1017
 Locking C-Clamp - Swivel Tip



W1018
 Locking C-Clamp - Swivel Tip



W1020
 Magnetic Level



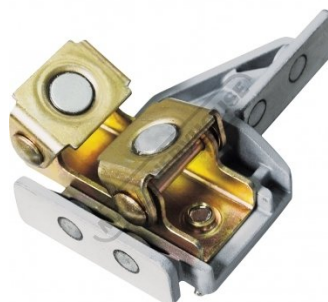
W1021
 Magnetic V-Pad Kit - (4 Pack)



W1022
 MagTab Magnet



W1023
 MagTab AL Magnet



W112
 Micro Welding Steel Clamp Set



Product Brochure For W1026

W113

Butt Welding Aluminium & Steel
Clamp Set



W114

3 Angles Welding Aluminium
Clamp Set



W115

Precision Welding Aluminium
Clamp Set

