

# HEAVY DUTY Rock Picker



SUITABLE FOR AG LOADERS 150+ HP  
AND SMALL TELEHANDLERS



## FEATURES

- » Sieve bar back frame for high visibility
- » Single arm with bidirectional rotation reel
- » High tensile tynes & Bissalloy fingers
- » Adjustable depth control skids for ease of use on Ag Loaders
- » Includes mount, hoses and couplings

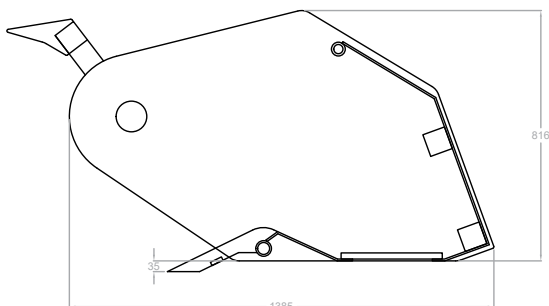
OPTIMAL ROCK SIZE

**100 - 500 mm**

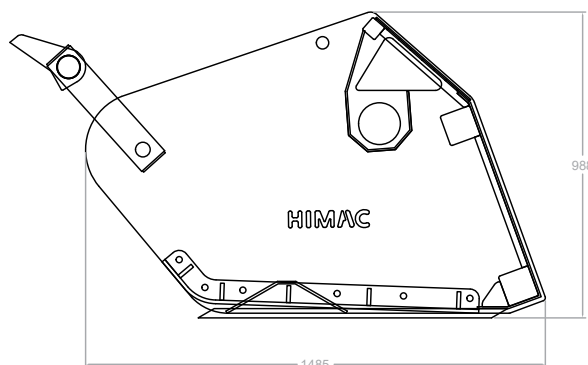
REQUIRED FLOW

**40 - 80 LPM**

CODE	DESCRIPTION	TYNE SPACING	WORK WIDTH	LOAD CAPACITY	VOLUME	WEIGHT	PRICE
RP16E	1810 mm Rock Picker	70 mm	1600 mm	Up to 1000 kg	0.60 m <sup>3</sup>	470 kg	<b>GET QUOTE</b>
RP20E	2210 mm Rock Picker		2000 mm		0.75 m <sup>3</sup>	560 kg	
RP24AGE	2400 mm Rock Picker	75 mm	2350 mm	1500 kg	1.10 m <sup>3</sup>	850 kg	



**RP16E / RP20E**  
STANDARD Skid Steer / Euro Model  
Suitability: Up to 140 HP



**RP24AGE**  
HEAVY DUTY Euro / Telehandler Model  
Suitability: 150+ HP



Hard Work Made Easy

1800 888 114

himac.com.au