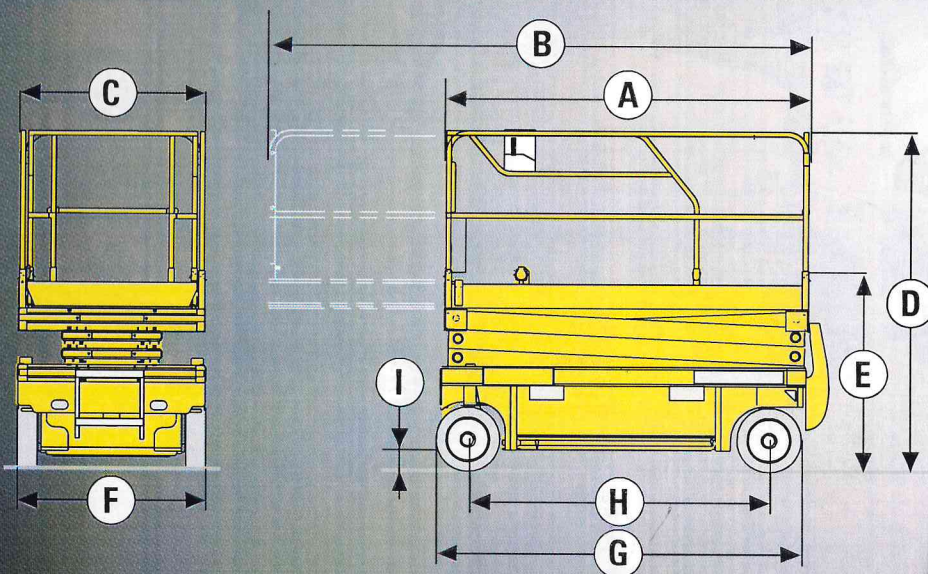


COMPACT 8 W / COMPACT 10 / COMPACT 12

ELECTRIC SCISSOR LIFTS



TECHNICAL DATA

	Compact 8 W	Compact 10	Compact 12
Working height	8.25 m	10.15 m	12 m
Platform height (36) 9.96	6.25 m	8.15 m	10 m
Driveable at full height up to	6.25 m	8.15 m	10 m
Lift capacity - inside	450 kg	450 kg	300 kg
Lift capacity - outside	450 kg	450 kg	300 kg
A - Platform length - outside	2.3 m	2.3 m	2.3 m
B - Platform length - extended	3.22 m	3.22 m	3.22 m
Length - extension	0.92 m	0.92 m	0.92 m
C - Platform width - outside	1.2 m	1.2 m	1.2 m
E - Storage height	1.28 m	1.4 m	1.53 m
D - Height - stowed	2.14 m	2.26 m	2.38 m
F - Overall width	1.2 m	1.2 m	1.2 m
G - Length	2.45 m	2.45 m	2.45 m
H - Wheelbase	1.86 m	1.86 m	1.86 m
I - Ground clearance - Centre	13 cm	13 cm	13 cm
Ground clearance - Pothole guards deployed	2.5 cm	2.5 cm	2.5 cm
Drive speed	1 - 3.5 km/h	1 - 3.5 km/h	0.9 - 3.5 km/h
Gradeability	23 %	23 %	23 %
Tilt	2 °	2 °	2 °
Lift / lower speed	56 s / 44 s	51 s / 42 s	83 s / 52 s
Turning radius - outside	2.5 m	2.5 m	2.5 m
Tyres - non marking	15x5	15x5	15x5
Batteries	24 V - 255 Amph (C5)	24 V - 255 Amph (C5)	24 V - 255 Amph (C5)
Hydraulic system capacity	25 l	25 l	25 l
Weight	1950 kg	2330 kg	2630 kg

STANDARD EQUIPMENT

- Pothole guards
- Battery charge indicator
- Proportional lift and drive
- Removable control box in platform
- Swing out component tray
- Battery charger with automatic stop
- Solid non-marking tyres
- Free wheeling device
- Tilt controller
- Load Management System in the platform
- Manual platform lowering valve
- Integrated forklift pockets
- Towing hooks
- Horn
- Hourmeter

OPTIONS AND ACCESSORIES

- Flashing light
- Travel alarm
- Working light
- Power to platform
- Biodegradable hydraulic oil
- Folding guardrails
- Maintenance-free batteries
- Traction batteries
- Centralised batteries filling



Haulotte
GROUP